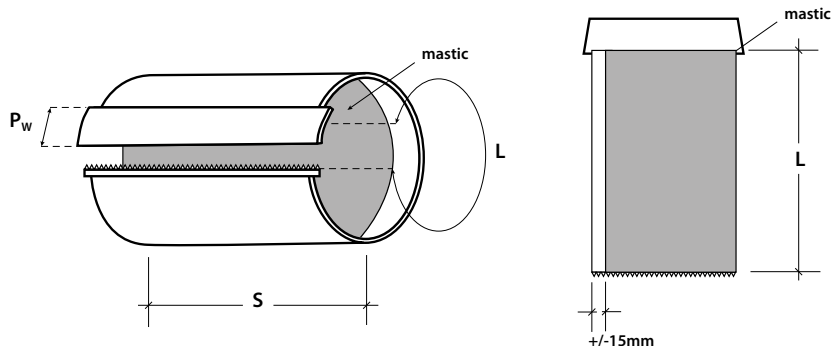


### 8.5.4 ECZ1 heat-shrinkable, cross-linked, dividable (open) end caps, glass fiber reinforced, with a zipper, for single pipes.



JACKET PIPE external diameter Dz: [mm]	CARRIER PIPE diameter DN: [mm]	Diameter sizes ECZ1 Dz <sub>max</sub> /dw <sub>min</sub> : [mm]	ECZ1 length L: [mm]	CATALOGUE No.			
90	25	110/26	220	ECZ1-110			
	32						
110	25						
	32						
	40						
125	50				125/48	180	ECZ1-125
140	50				140/50	180	ECZ1-140
	65						
160	65				160/60	180	ECZ1-160
	80						
180	80				180/70	180	ECZ1-180
200	80				200/76	180	ECZ1-200
	100						
225	100	225/89	220	ECZ1-225			
	125						
250	125	250/108	220	ECZ1-250			
	150						
280	150	280/133	220	ECZ1-280			
315	150	315/168	220	ECZ1-315			
	200						
355	200	355/219	270	ECZ1-355			
400	200	400/219	270	ECZ1-400			
	250						
450	250	450/263	270	ECZ1-450			
	300						
	300						
500	350	500/263	270	ECZ1-500			
	350						
520	350	520/263	270	ECZ1-520			
	400						
560	350	560/263	270	ECZ1-560			
	400						
630	400	630/355	350	ECZ1-630			
	450						
710	450	710/355	350	ECZ1-710			
	500						
800	500	800/457	350	ECZ1-800			
	600						
	600						
900	700	900/457	350	ECZ1-900			
	700						
1000	800	1000/610	350	ECZ1-1000			
1100	900	1100/610	350	ECZ1-1100			
1200	1000	1200/610	450	ECZ1-1200			

\* The color marked ECZ1 end caps for pre-insulated pipes with insulation "plus type"

Made of glass fiber reinforced cross-linked HDPE dividable (open) heat-shrinkable end cap with mastic, with high shrinking capabilities, with a zipper. Universal and easy to assembly.

To improve its sealing abilities and safety of the connection, its surface is fully coated by mastic except +/-15mm strip at one of the edge, so called an anti-slippage or anti-milking zone. This zone is to be positioned on top of the PE jacket pipe to prevent the ECZ1 from milking-off.

The ECZ1 end cap can be installed after completion of welding of pre-insulated pipes, or used as repair end-cap.